

2 Way ACF Series

Application

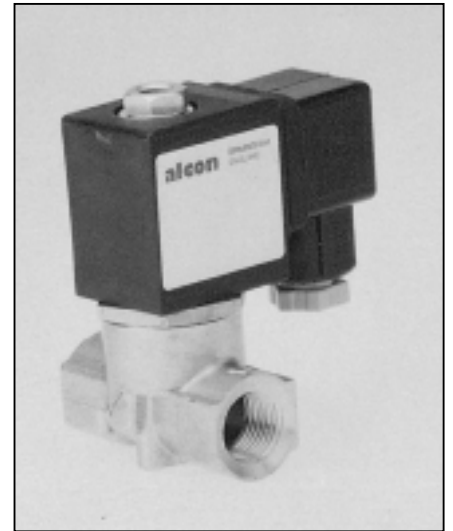
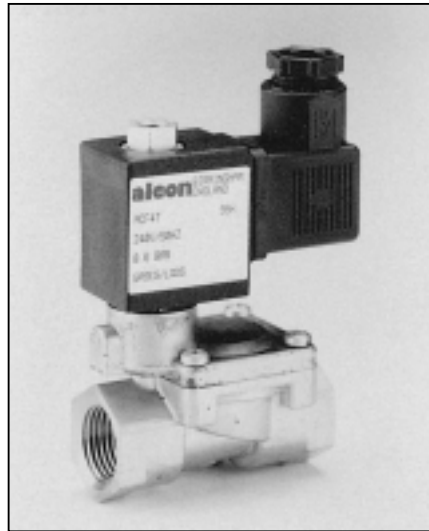
General purpose use with air, water, inert gases, light oil and heavy fuel oil no 6 giving on/off control of non-aggressive media compatible with the materials of construction.

Features

Choice of pressure ratings.

Technical Specification

- Function: Normally closed, pilot operated floating diaphragm valve.
- Ambient Temperature: -10°C to 100°C.
- Viscosity: No.6 fuel oil.
- Materials: Body: brass
Internals: stainless steel, brass.
- Seals: Standard: Nitrile (BunaN) Options: Viton.
- Coil Voltage: 12, 24V DC.24, 110, 220, 230, 240V, AC 50/60Hz.
- Voltage Tolerance: ±10%.
- Duty Cycle: 100%.
- Protection Class: IP65.
- Electrical Connection: DIN 43650 plug PG9.
- Coil Insulation: Class H.
- Max Static Pressure: 5 times MOPD 60.0 bar.



Valve Information

Pipe Size	Orifice mm	KV m3/hr	MOPD Bar		Coil Power		Media Temp	Seal Material	Weight KG	Valve Type	Notes
			AC	DC	Hold VA	Watts DC					
1/4"	8.0	1.56	0.3-21.0	-	16.0	-	-10° to =80°C	BunaN	0.40	ACF2	
3/8"	8.0	1.70	0.3-21.0	-	16.0	-		BunaN	0.40	ACF3	
1/4"	8.0	1.56	0.3-10.0	-	16.0	-	-10° to =116°C	Viton	0.40	ACF2V	No. 2 Fuel Oil
3/8"	8.0	1.70	0.3-10.0	-	16.0	-		Viton	0.40	ACF3V	No. 2 Fuel Oil
1/4"	8.0	1.56	0.3-7.0	-	16.0	-		Viton	0.40	ACF2V	No. 6 Fuel Oil
3/8"	8.0	1.70	0.3-7.0	-	16.0	-		Viton	0.40	ACF3V	No. 6 Fuel Oil
1/2"	12.0	2.06	0.3-8.6	0.3-8.6	16.0	10	-10° to =80°C	BunaN	0.70	ACF4T	

Valve Notes

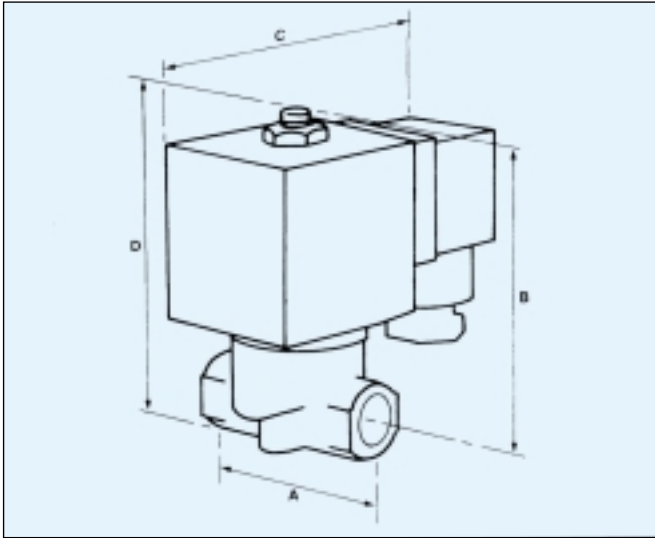
- M.O.P.D. Maximum operating pressure differential.
- Kv: M³/hr of water at 1 bar pressure drop.
- Mounting: Universal.
- Pipe Connection: BSP or NPT.

Ordering Information

- Please specify: Model, voltage, pressure, temperature, media, preferred electrical connection.
- For seal materials, see table overleaf.
- See Options overleaf and state any additional requirements.

2 Way ACF Series

Dimensions



Dimensions

Size	A	B	C	D
1/4"	44	70	75	78
3/8"	63	70	75	90
1/2"	65	85	75	90

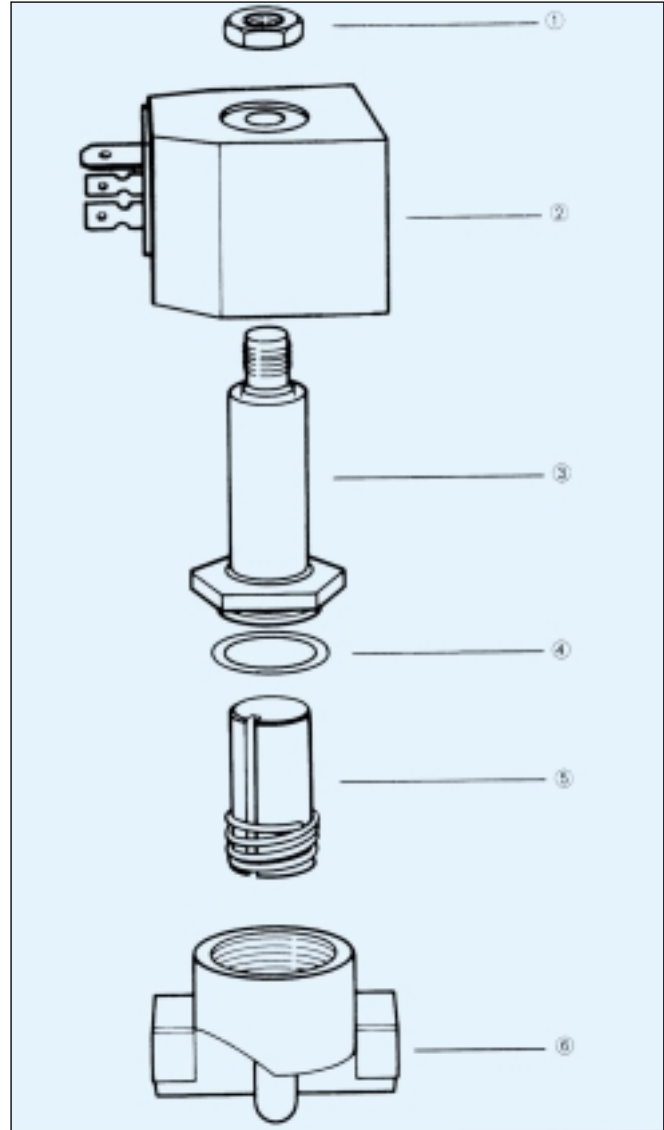
Material	Temperature Range
Standard Nitrile (BunaN)	-10°C - +80°C
VITON	-20°C - +150°C

When ordering please specify valve type and voltage.

Specification Options

Mounting holes: 2 x M4 (min qty 50)

Parts Reference



No.	Component	Spares Kit
1	Locknut	
2	Coil (Separate)	X
3	Flange Assembly	X
4	O Ring	X
5	Plunger Assembly	X
6	Diaphragm Assembly	X