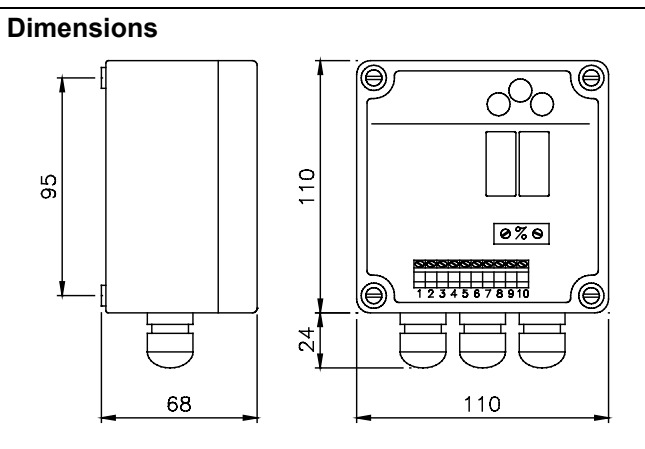


420 SERIES HI/LOW LEVEL RELAYS

The 420 series of relay switches is designed to be used with the LK10 transducer although they can be used with any 4 to 20mA current loop. The relay thresholds are adjustable from 5% to 95% of the scale. Each relay controls a set of volt-free changeover contacts.

The range consists of:

LK420	Single relay box
LK421	Dual independent relays
LK422	On at low, off at high latched
LK423	Single/Dual relays with test button.

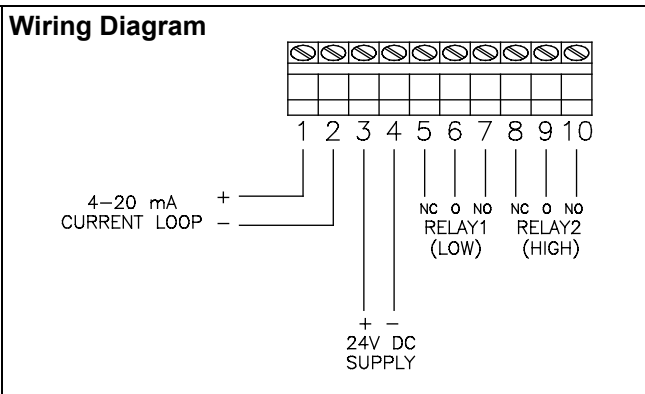


INSTALLATION

The unit is designed to be wall mounted using the mounting holes in the corners of the base. Remove the lid for access.

Electrical connection should be made by suitably qualified persons in accordance with the wiring diagram. NOTE: on the single relay and latching versions, only relay 1 is used.

Adjust the switch points using a small screwdriver. If the unit is a two-channel type then the low level is set by the left adjustment and the high level set by the right adjustment.



Technical Specification

Supply Voltage	24V DC
Power	1.5W Max
Enclosure	Grey ABS base with transparent smoked lid.
Protection	IP65
Dimensions	110 x 110 x 68mm
Mounting Centres	95 x 95mm Ø4.5mm
Relay Ratings	5A 250Vac / 30Vdc
Cable Size	2.0mm ² Max.
Weight	0.3 kg

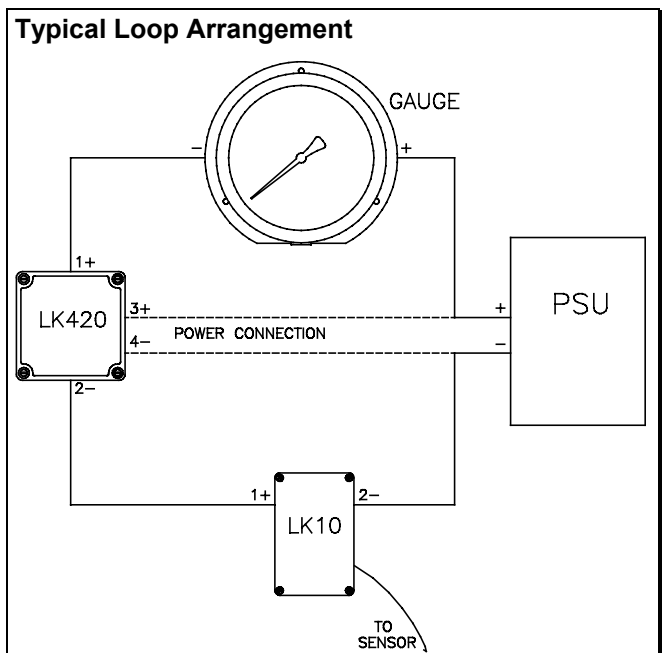
OPERATION

The unit has LEDs mounted inside the transparent cover that indicate the state of the relays.

Green LED	Low level relay on
Red LED	High level relay on (not 420)
Yellow LED	Latch on (422 only)

When the current in the 4 to 20mA loop rises above the preset threshold, the relay changes over and the corresponding LED lights. The relay resets when the current falls below the threshold again.

On the latching version, the current dropping below the lower threshold turns the relay on and the current rising above the upper threshold turns the relay off.



If you have any questions or need any help then please contact our sales office.